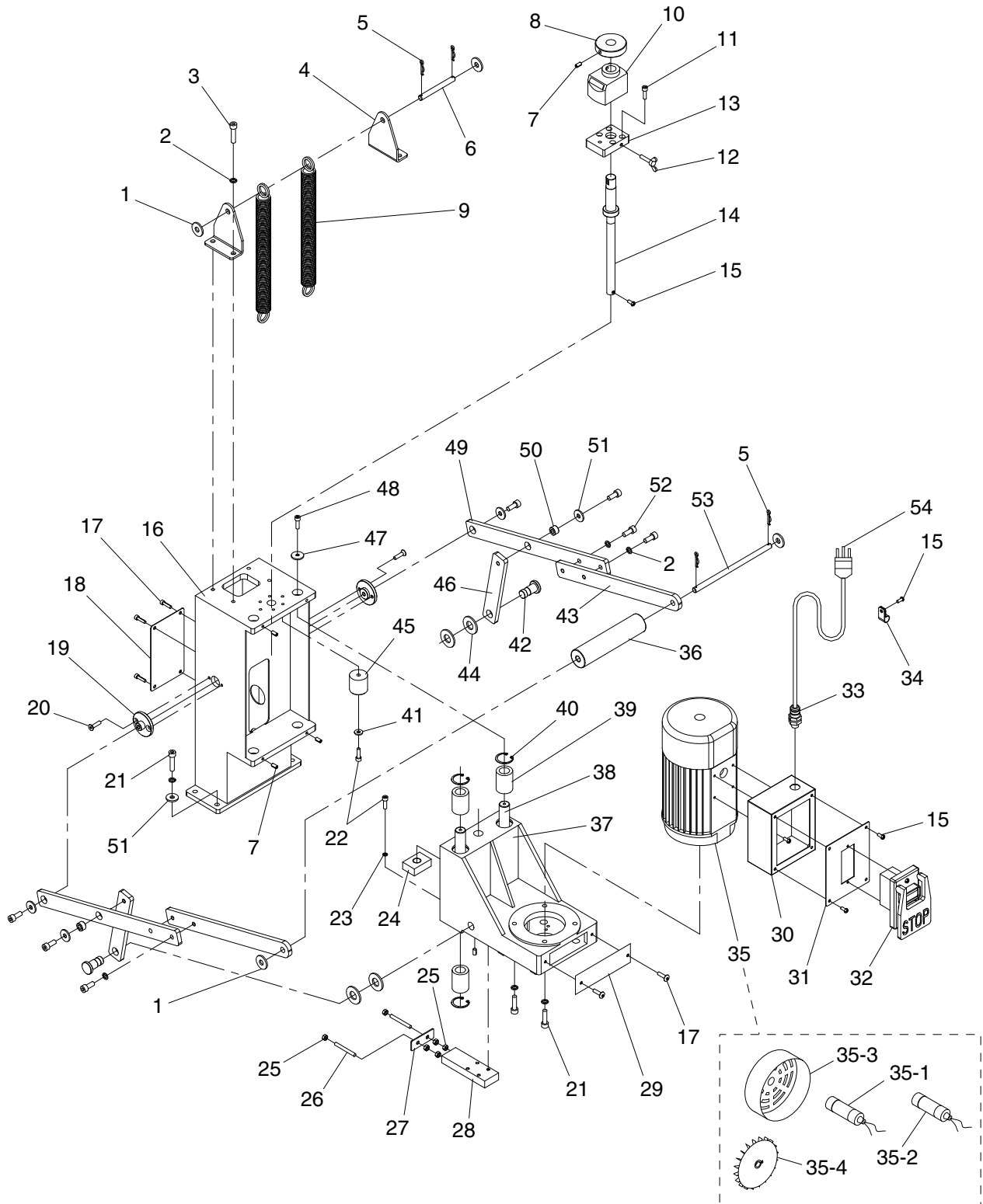


SECTION 8: PARTS

Column & Electrical Breakdown



Column & Electrical Parts List

REF	PART #	DESCRIPTION
1	PW04M	FLAT WASHER 10MM
2	PLW04M	LOCK WASHER 8MM
3	PSB11M	CAP SCREW M8-1.25 X 16
4	P0642004	HEADSTOCK SPRING BRACKET
5	P0642005	HAIR PIN COTTER PIN
6	P0642006	DRILLED HEADLESS CLEVIS PIN
7	PSS01M	SET SCREW M6-1 X 10
8	P0642008	KNURLED KNOB
9	P0642009	HEADSTOCK EXTENSION SPRING
10	P0642010	DEPTH CONTROL GAUGE
11	PSB02M	CAP SCREW M6-1 X 20
12	P0642012	WING SCREW M6-1 X 25
13	P0642013	DEPTH CONTROL GAUGE MOUNT
14	P0642014	DEPTH CONTROL ROD
15	PS08M	PHLP HD SCR M5-.8 X 12
16	P0642016	COLUMN
17	PSB50M	CAP SCREW M5-.8 X 10
18	P0642018	COVER
19	P0642019	PIVOT BRACKET
20	PFH02M	FLAT HD SCR M6-1 X 12
21	PSB31M	CAP SCREW M8-1.25 X 25
22	PSB07M	CAP SCREW M6-1 X 30
23	PLW03M	LOCK WASHER 6MM
24	P0642024	THREADED BLOCK
25	PN01M	HEX NUT M6-1
26	PSS85M	SET SCREW M6-1 X 45
27	P0642027	SPACER
28	P0642028	MOUNT
29	P0642029	COVER

REF	PART #	DESCRIPTION
30	P0642030	SWITCH BOX
31	P0642031	SWITCH PANEL
32	P0642032	ON/OFF SWITCH
33	P0642033	STRAIN RELIEF
34	P0642034	CABLE CLAMP
35	P0642035	MOTOR 1HP 110/220V 1-PH
35-1	P0642035-1	S. CAPACITOR 300M 125V 1.38 X 3.38
35-2	P0642035-2	R. CAPACITOR 30M 250V 1.38 X 2.38
35-3	P0642035-3	MOTOR FAN COVER
35-4	P0642035-4	MOTOR FAN
36	P0642036	HANDLE
37	P0642037	HEADSTOCK
38	P0642038	HEADSTOCK WAY
39	P0642039	BUSHING
40	PR29M	INT RETAINING RING 32MM
41	PW03M	FLAT WASHER 6MM
42	P0642042	PIVOT PIN
43	P0642043	PIVOT BAR FRONT
44	PW08M	FLAT WASHER 16MM
45	P0642045	UPPER DEPTH STOP
46	P0642046	PIVOT BAR SMALL
47	PW03M	FLAT WASHER 6MM
48	PSB26M	CAP SCREW M6-1 X 12
49	P0642049	PIVOT BAR REAR
50	P0642050	BUSHING
51	PW01M	FLAT WASHER 8MM
52	PSB14M	CAP SCREW M8-1.25 X 20
53	P0642053	DRILLED HEADLESS CLEVIS PIN
54	P0642054	POWER CORD



Table Breakdown

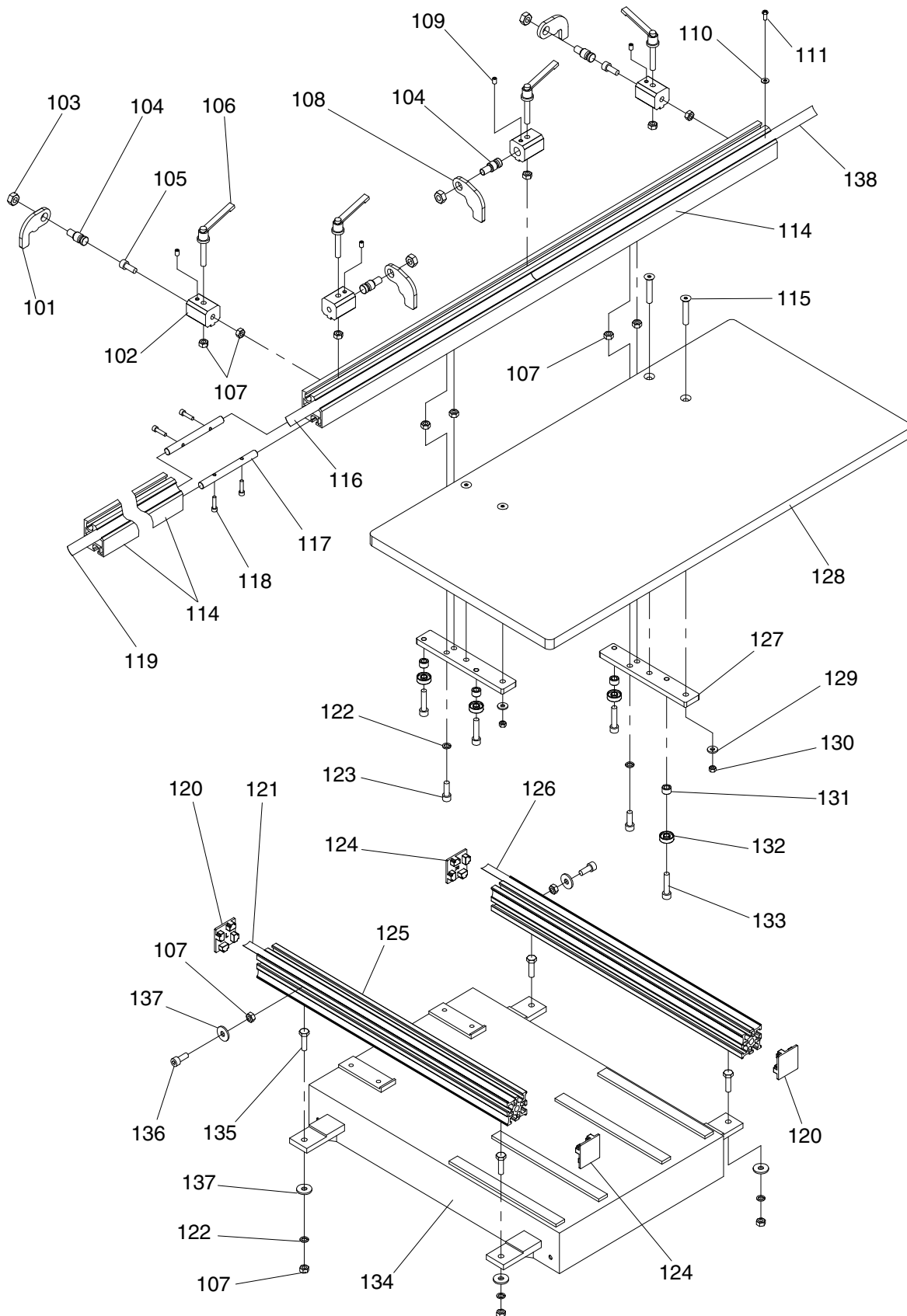


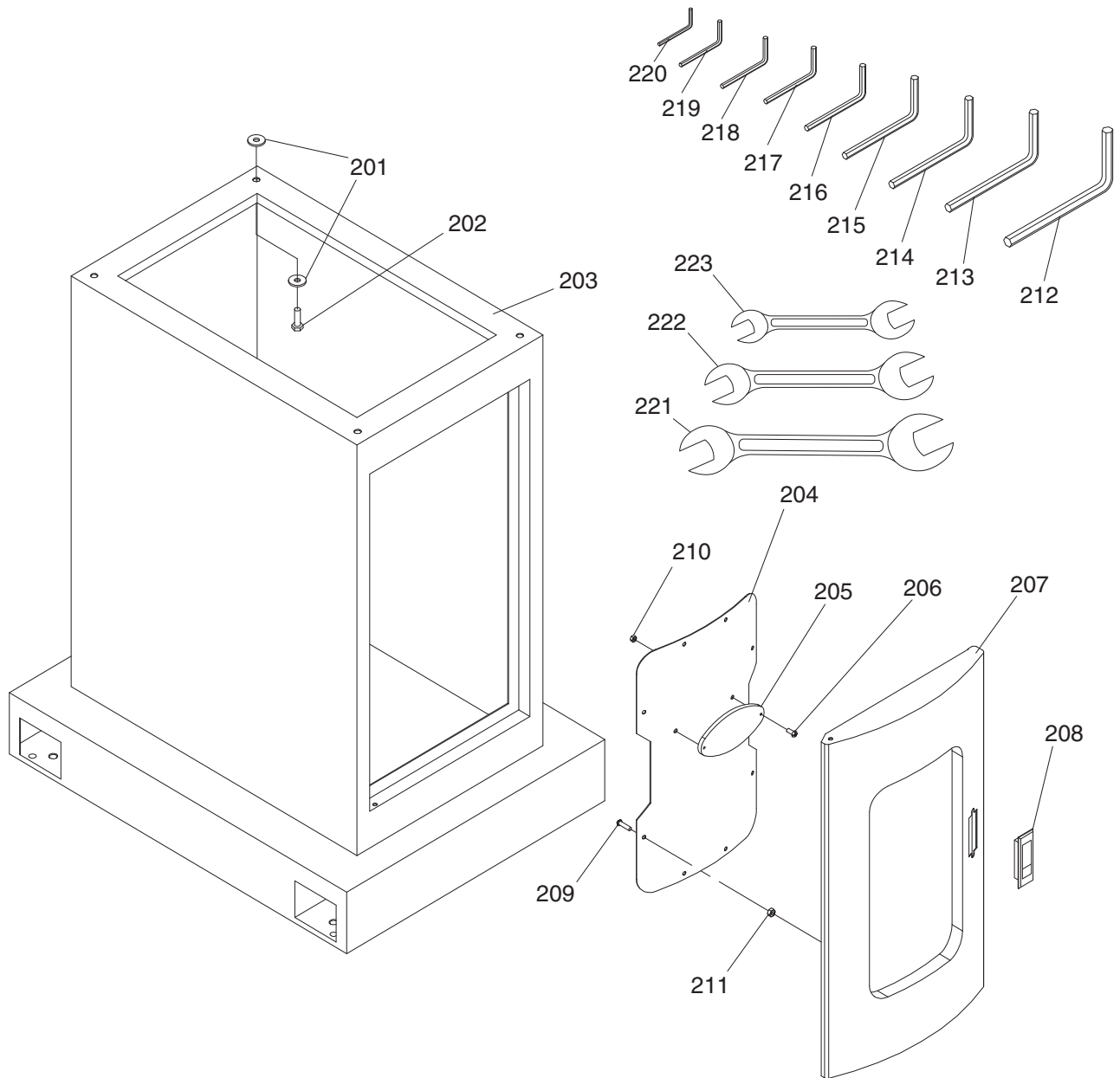
Table Parts List

REF	PART #	DESCRIPTION
101	P0642101	CROSS STOP PLATE
102	P0642102	MOUNTING BLOCK
103	PLN05M	LOCK NUT M10-1.5
104	P0642104	STOP PIN
105	PSB11M	CAP SCREW M8-1.25 X 16
106	P0642106	LOCK LEVER
107	PN03M	HEX NUT M8-1.25
108	P0642108	LONGITUDINAL STOP PLATE
109	PSS02M	SET SCREW M6-1 X 6
110	PW02M	FLAT WASHER 5MM
111	PS08M	PHLP HD SCR M5-.8 X 12
114	P0642114	LONGITUDINAL FENCE
115	PFH03M	FLAT HD SCR M6-1 X 40
116	P0642116	LONGITUDINAL SCALE CENTER LEFT
117	P0642117	FENCE CONNECTING ROD
118	PSB24M	CAP SCREW M5-.8 X 16
119	P0642119	LONGITUDINGAL SCALE LEFT
120	P0642120	CROSS FENCE END PLUG LEFT

REF	PART #	DESCRIPTION
121	P0642121	CROSS FENCE SCALE LEFT
122	PLW04M	LOCK WASHER 8MM
123	PSB14M	CAP SCREW M8-1.25 X 20
124	P0642124	CROSS FENCE END PLUG RIGHT
125	P0642125	CROSS FENCE
126	P0642126	CROSS FENCE SCALE RIGHT
127	P0642127	TABLE MOUNT
128	P0642128	TABLE
129	PW03M	FLAT WASHER 6MM
130	PN01M	HEX NUT M6-1
131	P0642131	BUSHING
132	P608	BALL BEARING 608ZZ
133	PSB40M	CAP SCREW M8-1.25 X 35
134	P0642134	CABINET TOP
135	PSB31M	CAP SCREW M8-1.25 X 25
136	PSB58M	CAP SCREW M8-1.25 X 12
137	PW01M	FLAT WASHER 8MM
138	P0642138	LONGITUDINAL SCALE CENTER RIGHT



Cabinet & Tools Breakdown & Parts List

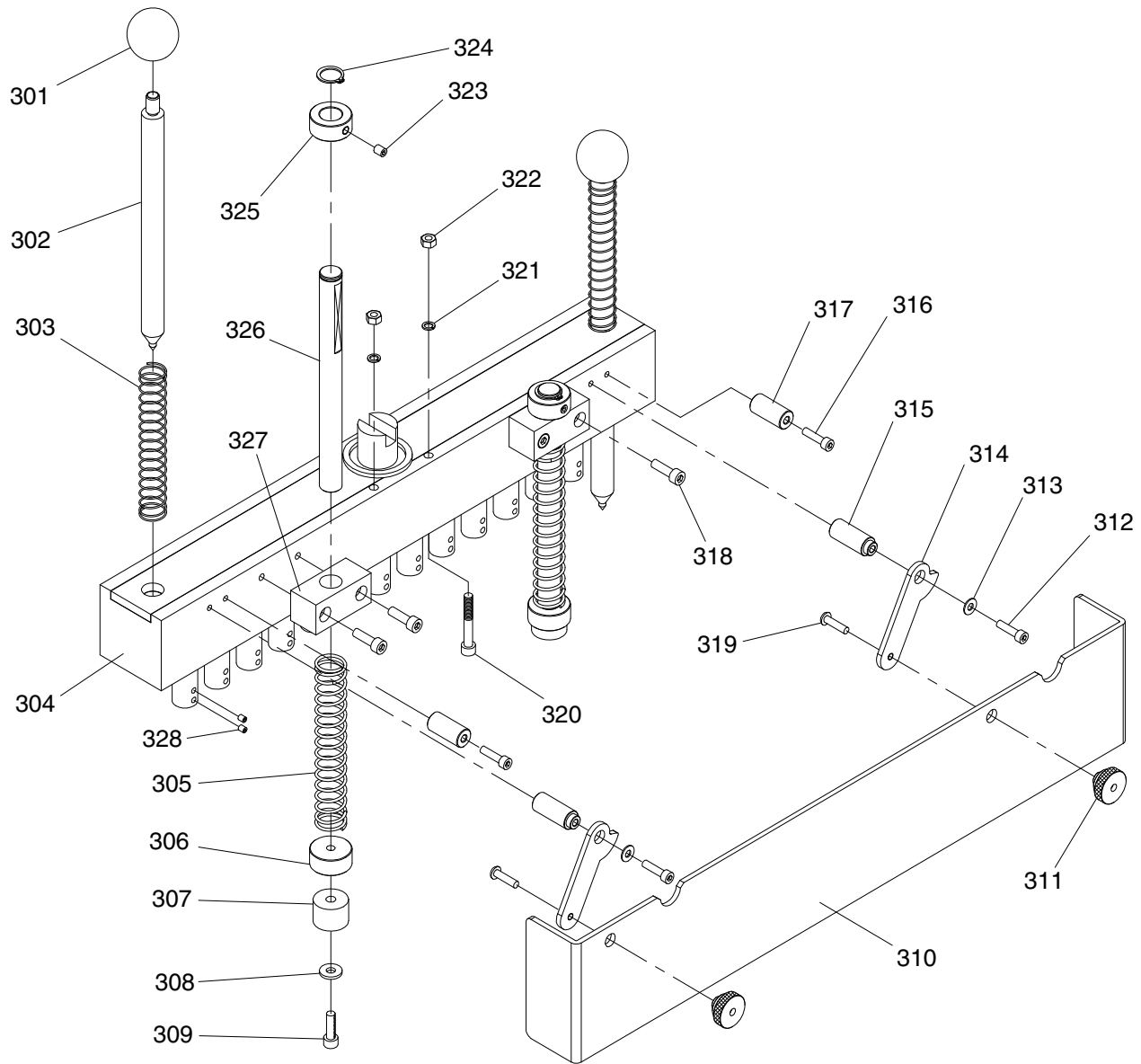


REF	PART #	DESCRIPTION
201	PW01M	FLAT WASHER 8MM
202	PB03M	HEX BOLT M8-1.25 X 16
203	P0642203	CABINET
204	P0642204	COVER
205	P0642205	GRIZZLY LOGO PLATE
206	PS02M	PHLP HD SCR M4-.7 X 12
207	P0642207	DOOR
208	P0642208	DOOR LATCH
209	PS08M	PHLP HD SCR M5-.8 X 12
210	PN04M	HEX NUT M4-.7
211	PN06M	HEX NUT M5-.8
212	PAW10M	HEX WRENCH 10MM

REF	PART #	DESCRIPTION
213	PAW08M	HEX WRENCH 8MM
214	PAW06M	HEX WRENCH 6MM
215	PAW05M	HEX WRENCH 5MM
216	PAW04M	HEX WRENCH 4MM
217	PAW03M	HEX WRENCH 3MM
218	PAW02.5M	HEX WRENCH 2.5MM
219	PAW02M	HEX WRENCH 2MM
220	PAW01.5M	HEX WRENCH 1.5MM
221	PWR1719	COMBO WRENCH 17/19MM
222	PWR1214	COMBO WRENCH 12/14MM
223	PWR810	COMBO WRENCH 8/10MM



Boring Head Breakdown & Parts List

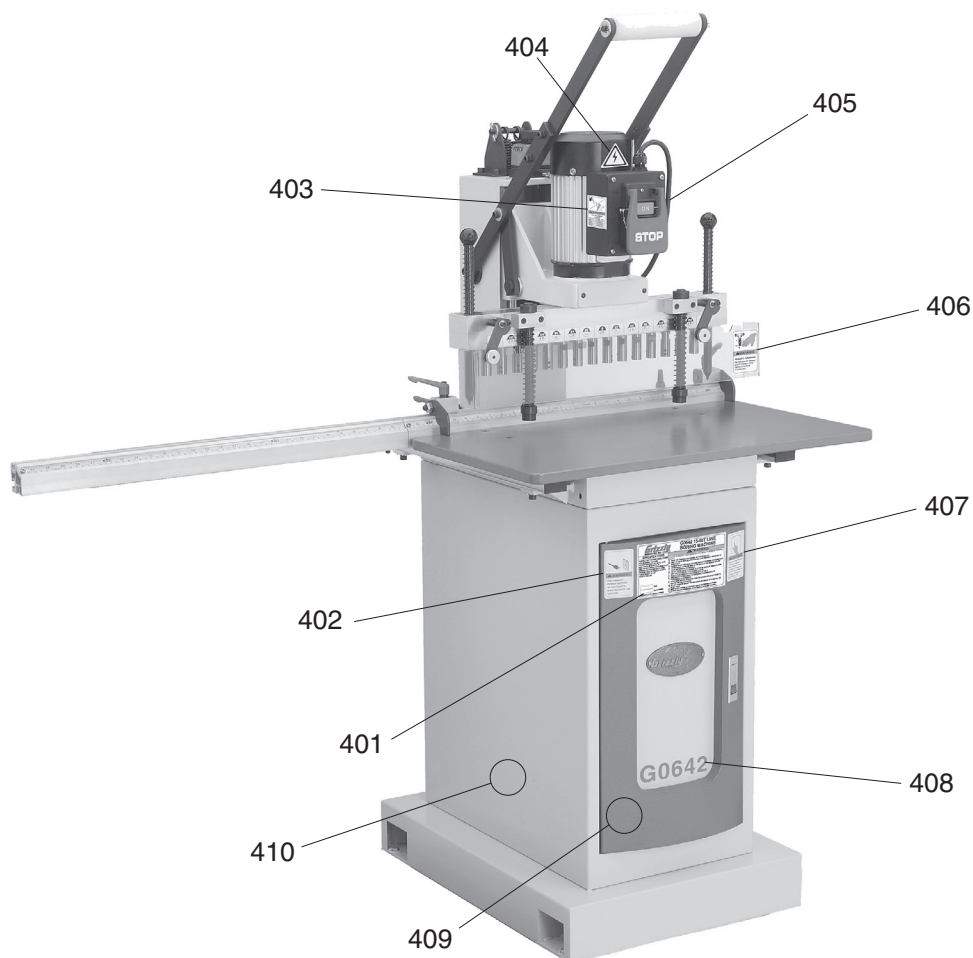


REF	PART #	DESCRIPTION
301	P0642301	INDEXING PIN KNOB
302	P0642302	INDEXING PIN
303	P0642303	INDEXING COMPRESSION SPRING
304	P0642304	BORING HEAD ASSY
305	P0642305	HOLDDOWN COMPRESSION SPRING
306	P0642306	COLLAR
307	P0642307	HOLDDOWN PAD
308	PSB02M	FLAT WASHER 6MM
309	PSB02M	CAP SCREW M6-1 X 20
310	P0642310	BORING HEAD GUARD
311	P0642311	GUARD RETAINER
312	PSB109M	CAP SCREW M5-.8 X 50
313	PW02M	FLAT WASHER 5MM
314	P0642314	PIVOT BRACKET

REF	PART #	DESCRIPTION
315	P0642315	BUSHING
316	PSB79M	CAP SCREW M5-.8 X 35
317	P0642317	BUSHING
318	PSB07M	CAP SCREW M6-1 X 30
319	PSB118M	BUTTON HD CAP SCR M5-.8 X 20
320	PSB167M	CAP SCREW M6-1 X 70
321	PLW03M	LOCK WASHER 6MM
322	PN01M	HEX NUT M6-1
323	PSS99M	SET SCREW M6-1 X 5
324	PR06M	EXT RETAINING RING 16MM
325	P0642325	LOCK COLLAR
326	P0642326	HOLDDOWN ROD
327	P0642327	HOLDDOWN BRACKET
328	PSS07M	SET SCREW M5-.8 X 5



Label Placement & List



REF PART #	DESCRIPTION
401	P0642401 MACHINE ID LABEL
402	P0642402 DISCONNECT WARNING LABEL VERT
403	P0642403 ENTANGLEMENT HAZARD LABEL VERT
404	PLABEL-14 ELECTRICITY LABEL
405	PLABEL-11 EYE INJURY HAZARD LABEL VERT

REF PART #	DESCRIPTION
406	P0642401 HAND INJURY HAZARD LABEL VERT
407	PLABEL-12 READ MANUAL LABEL VERT
408	P0642403 MODEL NUMBER LABEL
409	PPAINT-1 GRIZZLY GREEN TOUCH UP PAINT
410	PPAINT-11 GRIZZLY PUTTY TOUCH UP PAINT

WARNING

Safety labels warn about machine hazards and ways to prevent injury. The owner of this machine **MUST** maintain the original location and readability of the labels on the machine. If any label is removed or becomes unreadable, **REPLACE** that label before using the machine again. Contact Grizzly at (800) 523-4777 or www.grizzly.com to order new labels.

